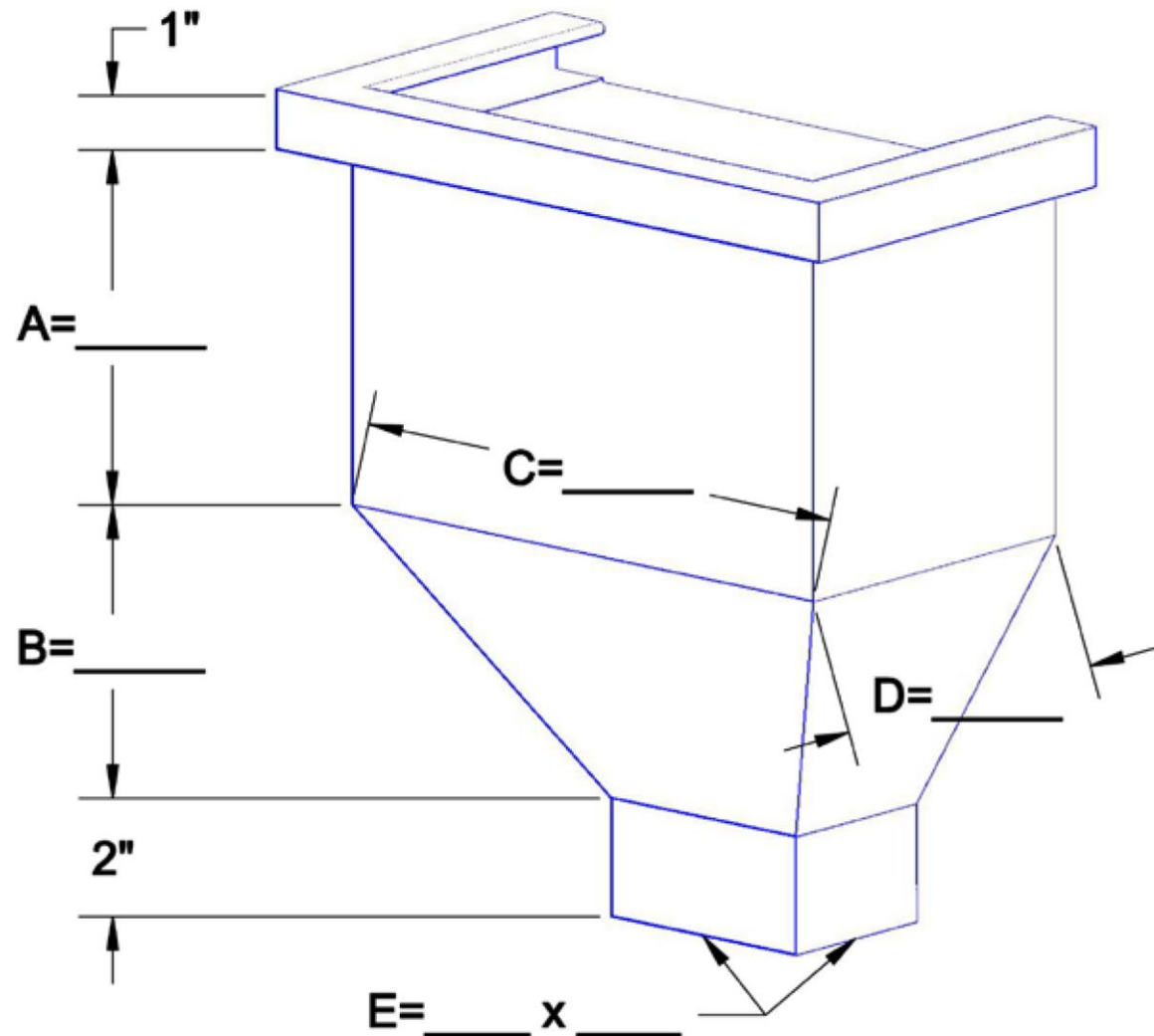


Company: _____
Color: _____ Gauge: _____
Soldered (Galv. & Copper Only) : Yes No

Collector with Top Ring



A = Height
B = Funnel Height
C = Length
D = Width
E = Outlet Size